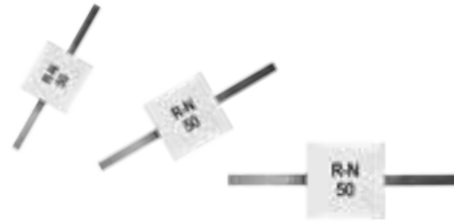


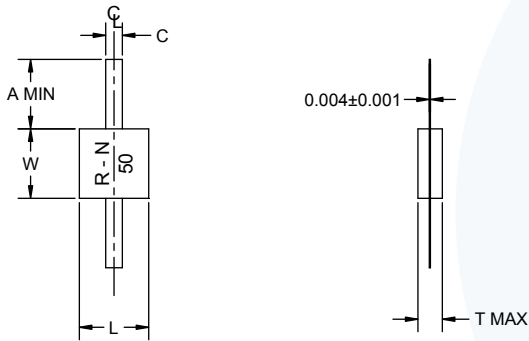
General Specifications

Substrate: Beryllium Oxide or Aluminum Nitride
 Resistive Film: Thick Film
 Tabs: Silver Plated Beryllium Oxide
 Cover: Alumina



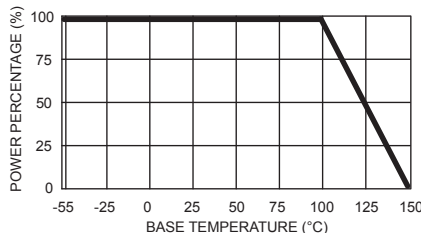
Beryllium Oxide Part Number	W (±0.010)	L (±0.010)	T (MAX)	C (±0.005)	A (MIN)	Power (W)	Cap. max (pF)
RPC100-200-4RXXX-XC	0.100 [2.54]	0.200 [5.08]	0.088 [2.24]	0.040 [1.02]	0.125 [3.18]	60	0.73
RPC230-350-4RXXX-XC	0.230 [5.84]	0.350 [8.89]	0.088 [2.24]	0.040 [1.02]	0.125 [3.18]	250	2.94
RPC250-250-4RXXX-XC	0.250 [6.35]	0.250 [6.35]	0.088 [2.24]	0.060 [1.52]	0.250 [6.35]	200	2.28
RPC250-250-6RXXX-XC	0.250 [6.35]	0.250 [6.35]	0.108 [2.74]	0.060 [1.52]	0.250 [6.35]	125	1.52
RPC250-375-1RXXX-XC	0.250 [6.35]	0.375 [9.53]	0.143 [3.63]	0.250 [6.35]	0.125 [3.18]	100	1.01
RPC250-375-4RXXX-XC	0.250 [6.35]	0.375 [9.53]	0.173 [4.39]	0.250 [6.35]	0.125 [3.18]	300	3.42
RPC375-375-4RXXX-XC	0.375 [9.53]	0.375 [9.53]	0.085 [2.16]	0.060 [1.52]	0.125 [3.18]	400	5.13
RPC500-500-4RXXX-XC	0.500 [12.7]	0.500 [12.7]	0.125 [3.18]	0.120 [3.05]	0.125 [3.18]	500	9.13
RPC1000-1000-6RXXX-XC	1.000 [25.4]	1.000 [25.4]	0.105 [2.67]	0.200 [5.08]	0.125 [3.18]	800	24.0

Aluminum Nitride Part Number	W (±0.010)	L (±0.010)	T (MAX)	C (±0.005)	A (MIN)	Power (W)	Cap. max (pF)
RPC100-200-4NRXXX-XC	0.100 [2.54]	0.200 [5.08]	0.088 [2.24]	0.040 [1.02]	0.125 [3.18]	40	1.0
RPC230-350-4NRXXX-XC	0.230 [5.84]	0.350 [8.89]	0.088 [2.24]	0.040 [1.02]	0.125 [3.18]	175	4.0
RPC250-250-4NRXXX-XC	0.245 [6.22]	0.245 [6.22]	0.088 [2.24]	0.060 [1.52]	0.250 [6.35]	150	3.1
RPC250-375-4NRXXX-XC	0.250 [6.35]	0.375 [9.53]	0.143 [3.63]	0.250 [6.35]	0.125 [3.18]	200	4.68
RPC375-375-4NRXXX-XC	0.375 [9.53]	0.375 [9.53]	0.085 [2.16]	0.060 [1.52]	0.125 [3.18]	250	7.0
RPC500-500-4NRXXX-XC	0.500 [12.7]	0.500 [12.7]	0.125 [3.18]	0.120 [3.05]	0.125 [3.18]	325	12.5
RPC1000-1000-6NRXXX-XC	1.000 [25.4]	1.000 [25.4]	0.105 [2.67]	0.200 [5.08]	0.125 [3.18]	800	50.0



Dimensions are in inches [mm], Tolerance: .XXX = ±0.010, .XX = ±0.015

DERATING CURVE



Ordering Information:

Example: **RPC 50 100 -2 N R 50 -5 C**

Series _____
 Size _____
 Thickness: _____
 No Designation: 0.010"
 2: 0.025"
 4: 0.040"
 6: 0.060"
 1: 0.135"
 Substrate: _____
 No Designation: Beryllium Oxide
 N: Aluminum Nitride
 Style: _____
 R: Resistor
 Resistance (Ohms) _____
 Tolerance (±%): _____
 1: 1%, 2: 2%, 5: 5%
 Tab & Cover Indicator (C) _____