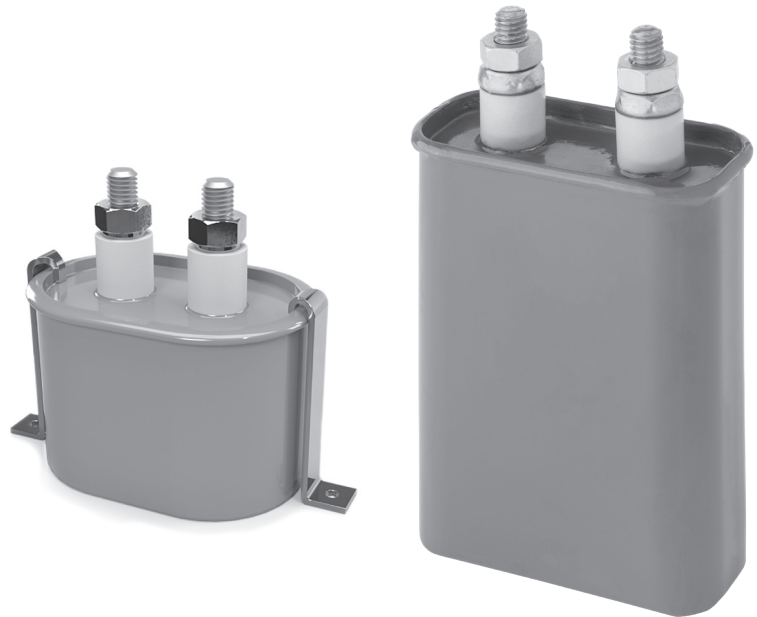


FEATURES:

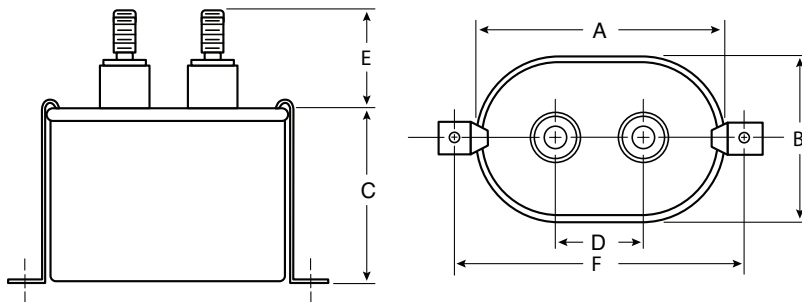
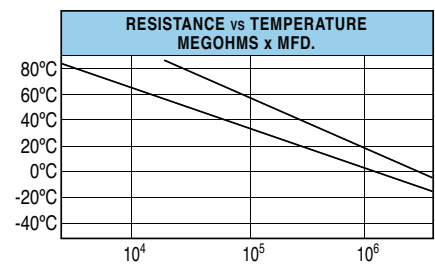
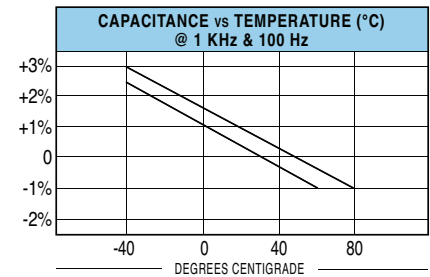
Type BVX capacitors are designed to take the “Peak” off of a SCR’s pulse, especially for large horsepower motor controls with Liquid impregnant has a flash point greater than 200°C.

- 350 ~ 1,000V Rated Models
- Up to 20 μF Capacitance
- $\pm 10\%$ Tolerance (Standard)
- -55 to 75°C at full rated voltage
(derate Voltage by 20% for +75°C Operation)
- Insulation Resistane of 40 - 80k ΩF
- <0.6% Dissipation Factor @ 1,000Hz
- Tested 200% of Rated Voltage (1 min)
- 40,000 Hours Reliability @ 65°C & Rated Voltage
- 1/4-20 Screw Terminals
- Footed Mounting Brackets available
- ISO 9001:2015 Qualified Processes
- Tested to MIL-STD-202
- ROHS Compliance upon Request



Peak Volts	Model	μF	A	B	C	D	Max VA
350	BVX35-105	1	2.16	1.31	2.88	0.81	3610
	BVX35-205	2	2.16	1.31	2.88	0.81	3610
	BVX35-305	3	2.16	1.31	3.88	0.81	4610
	BVX35-505	5	2.91	1.91	2.62	1.38	4900
	BVX35-106	10	2.91	1.91	4.75	1.38	7690
	BVX35-156	15	2.91	1.91	5.75	1.38	9000
	BVX35-206	20	3.66	1.97	5.75	1.38	12700
600	BVX60-105	1	2.16	1.31	3.88	0.81	4610
	BVX60-205	2	2.16	1.31	4.75	0.81	5470
	BVX60-305	3	2.91	1.91	3.88	1.38	6540
	BVX60-505	5	2.91	1.91	4.75	1.38	7690
	BVX60-106	10	3.66	1.97	6.25	1.38	13600
1,000	BVX100-105	1	2.16	1.31	3.88	0.81	4610
	BVX100-205	2	2.91	1.91	3.88	1.38	6540
	BVX100-305	3	2.91	1.91	4.5	1.38	7360
	BVX100-505	5	2.91	1.91	6.25	1.38	9660

CHARACTERISTICS:



CASE BASE DIMENSIONS	TERMINAL HEIGHT	MOUNTING C-C
A B	E	F
2.16 1.31	1 1/16	2 7/8
2.91 0.91	1.00	3 9/16
3.66 1.97	1.00	4 3/8