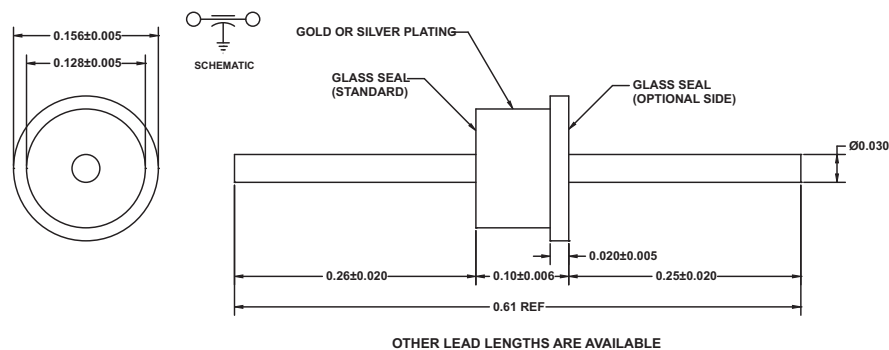


Feed-Thru Capacitors

6200 / 6210 / 6220 / 6230 / 6240

62xx Series



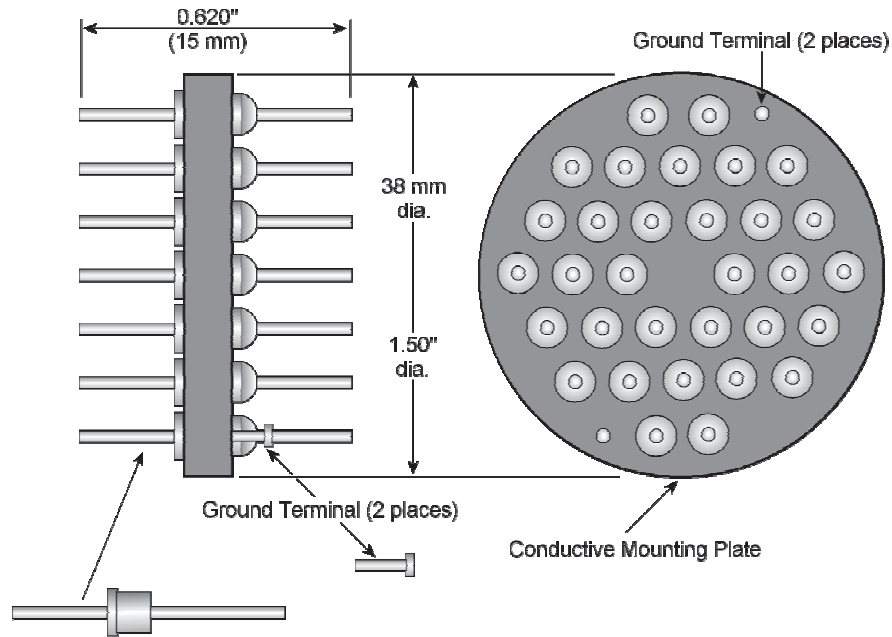
Note: Drawings on this page are in scale.

Series	6200	6210	6220	6230	6240
Voltage	50 VDC	100 VDC	200 VDC	300 VDC	400 VDC
Current	5 Amp	5 Amp	5 Amp	5 Amp	5 Amp
Capacitance (pf GMV)	<5 30 100 500 1000 1200 2200 2700 3900 5000 10000 15000 22000	<5 30 100 500 1000 1200 2200 2700 3900 5000	<5 30 100 500 1000 1200 2200 2700	<5 30 100 500 1000 1200	<5 30 100 500 1000 1200

All units are hermetically sealed on glass end. The opposite end is epoxy sealed. These units are available with a glass seal at either end. A unit with a glass seal at the flange end has an "R" as a suffix to the part number. E.g. P/N 6200-500R = 500 pf min @ 50 VDC @ 5 Amps while P/N 6220-005 = <5 pf @ 200 VDC @ 5 Amps.

Standard part number example: 6220-122 = 1200 pf min @ 200 VCD @ 5 Amps.

32 Feed-thru Capacitor Assembly



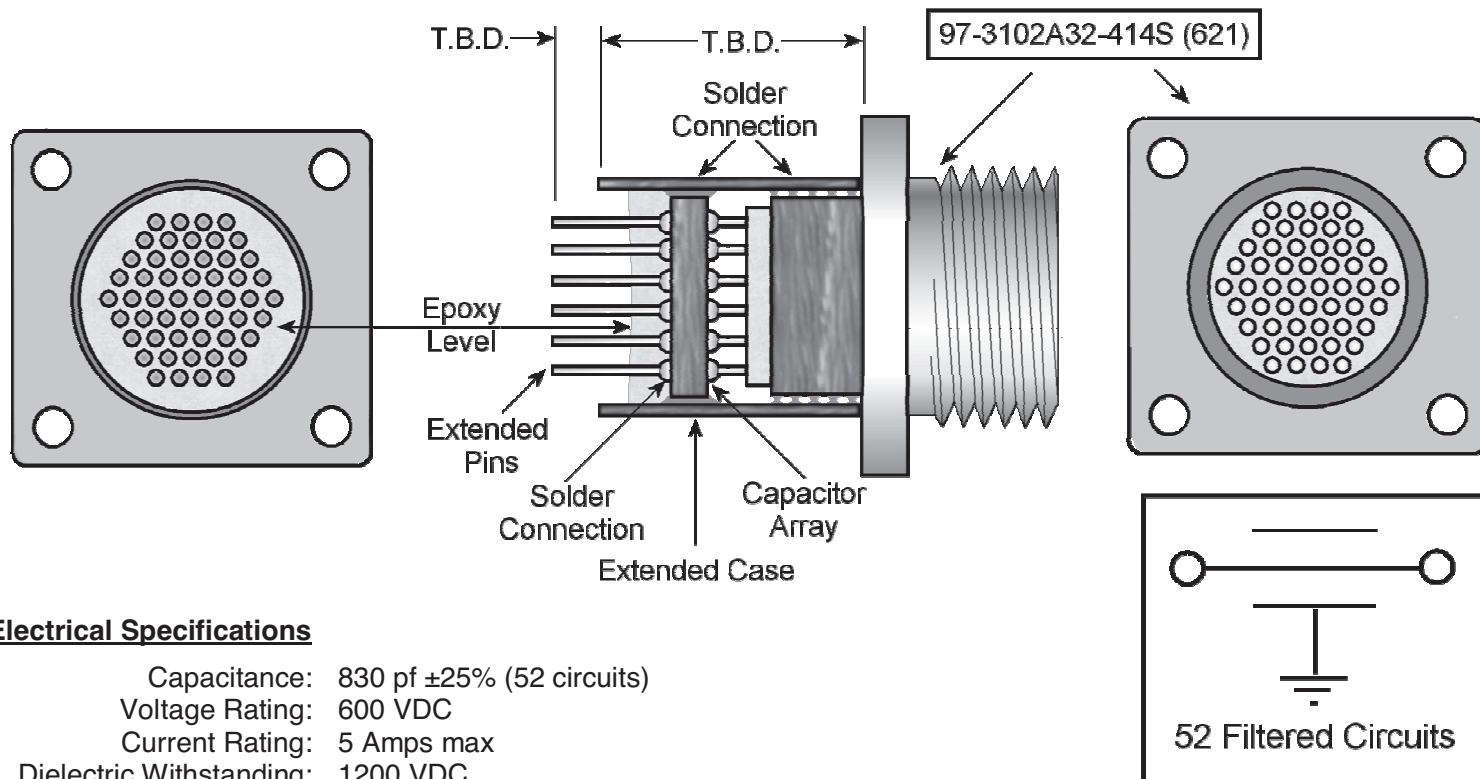
Electrical Specifications

32 Feedthru capacitors
CSI 6210 Series 100 VDC

Attenuation / Frequency					
150 kHz	300 kHz	500 kHz	1 MHz	10 MHz	30 MHz
3 dB	6 dB	10 dB	15 dB	40 dB	50 dB

Drawings may not be to scale; refer to dimensions.

3102A Filtered Connector



Electrical Specifications

Capacitance: 830 pf \pm 25% (52 circuits)
 Voltage Rating: 600 VDC
 Current Rating: 5 Amps max
 Dielectric Withstanding: 1200 VDC

Drawings may not be to scale; refer to dimensions.